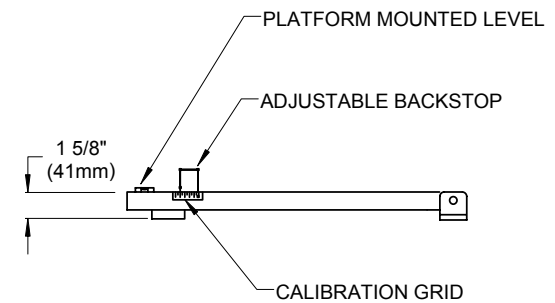
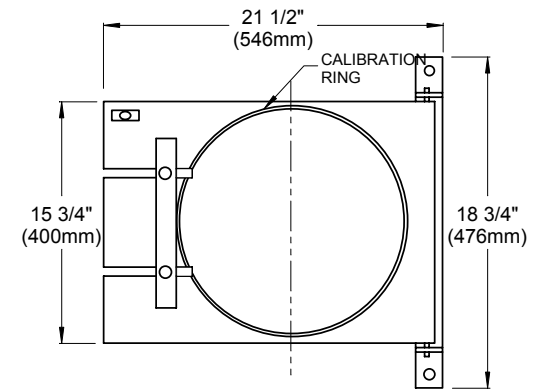
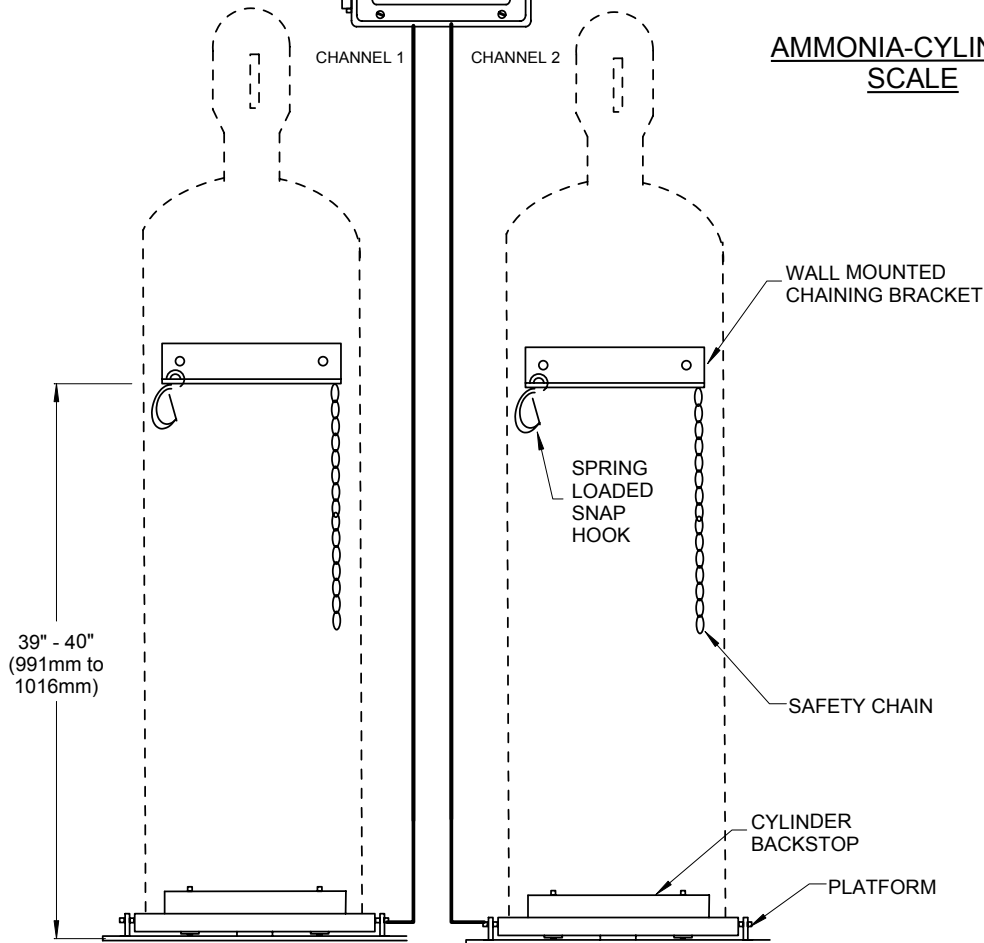


**Model No.**    **Metric Model**  
 WR400-1AS    WR200K-1AS    Single Cylinder Scale  
 WR400-2AS    WR200K-2AS    Dual Cylinder Scale

(with WIZARD 4000 INDICATOR (4-20mA Output per Channel included))  
 NOTE: Model letters WR were formerly DR and interchangeable.

**AMMONIA-CYLINDER SCALE**



W.1.102



1150-D Burnett Ave, Concord, CA 94520 USA  
 1-800-893-6723 US & Canada, Fax: 925-686-6713  
 www.forceflow.com / info@forceflow.com

REF: T4\O&M\CYLELE\AMMWIZ.tcw (WEB: AMMWIZ.pdf)

**AMMONIA-SCALE with WIZARD 4000 ELECTRONIC INDICATOR for 1 or 2 Ammonia Cylinders (400 lb. or 200 kg. Capacities)**

Drawn by: SLP  
 Date: 01/15/95  
 Revised: 10/01/98  
 Scale: NONE

Drawing Number

30308