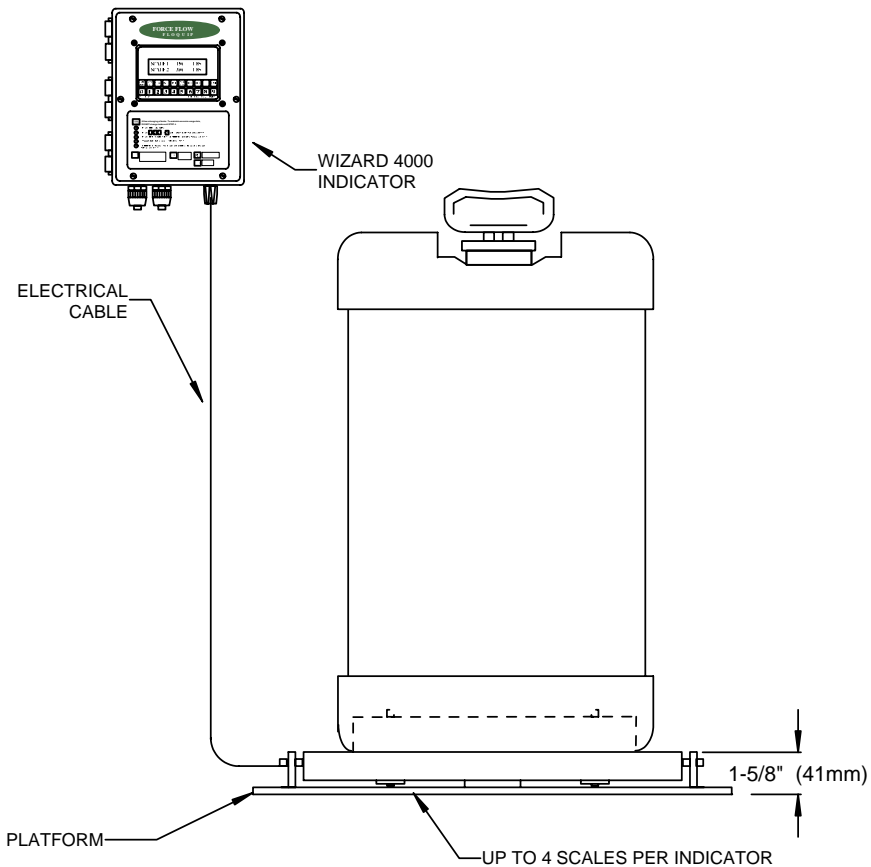


Model Numbers	Tank Diameter	X	Y	Z
WR200 200 lb cap.	8" to 16"	18 1/2" (470mm)	13 1/2" (343mm)	16 1/2" (419mm)
WR400 400 lb cap.	14" to 19"	21 3/4" (546mm)	15 3/4" (400mm)	18 3/4" (475mm)
WR600 600 lb cap. (Includes WIZARD 4000 indicator)	18" to 24"	24" (610mm)	24" (610mm)	27" (686mm)

Consult factory for other capacities; multiple channels or metric models.  
NOTE: Model letters WR were formerly DR and interchangeable.



W.1.101

JOB REFERENCE \_\_\_\_\_ /s/ \_\_\_\_\_

SUBMITTAL DATA:

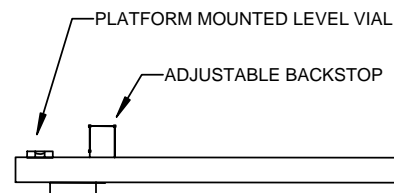
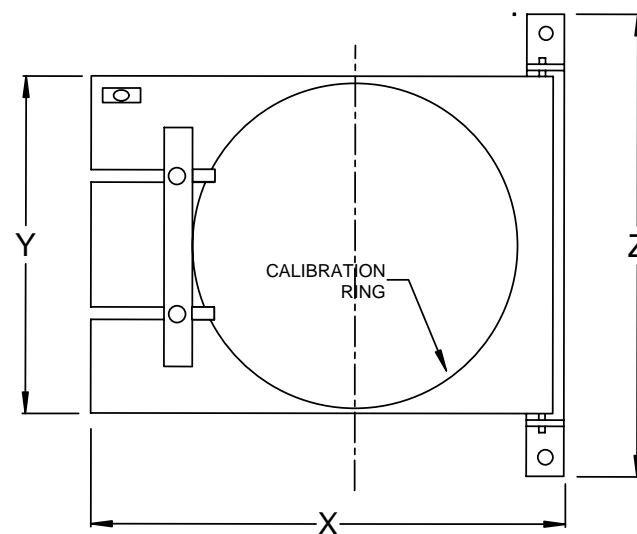
Qty	Platform/Sensor	Cable Length	Display Increments
		FT	
		M	
		FT	
		M	
		FT	
		M	
		FT	
		M	

WIZARD INDICATOR MODEL NO: \_\_\_\_\_

4-20mA OUTPUTS \_\_\_\_\_

RELAYS \_\_\_\_\_ DRY CONTACT / SOLID STATE  
N.O. / N.C.

OTHER OPTIONS: \_\_\_\_\_



1150-D Burnett Ave, Concord, CA 94520 USA  
1-800-893-6723 US & Canada, Fax: 925-686-6713  
www.forceflow.com / info@forceflow.com

File: T4/O&M/CARBWIZ/CARBWIZ.tcw (BW01.pdf) (WEB: CARBWIZ.pdf) 7/01  
EMAIL: DRAWINGS/CARBOY/CARBOY WIZ.pdf

**ELECTRONIC CARBOY-SCALE  
with WIZARD 4000 INDICATOR**

Drawn by: SLJ/MT

Date: 01/04/94

Revised: 11/22/05 MT

Scale: NONE

Drawing Number

**30277**