

SUBMITTAL DATA:

Qty	Platform Model No.	Cable Length	Display Increments

Solo Indicator Model No. _____

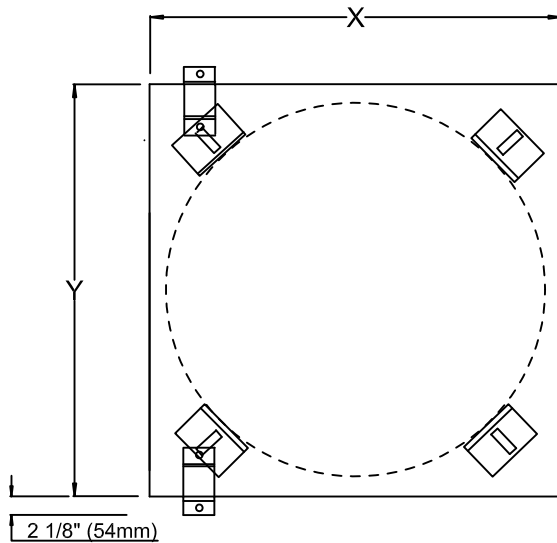
4-20mA Per Channel _____

Relays Per Channel _____ DRY / SOLID STATE

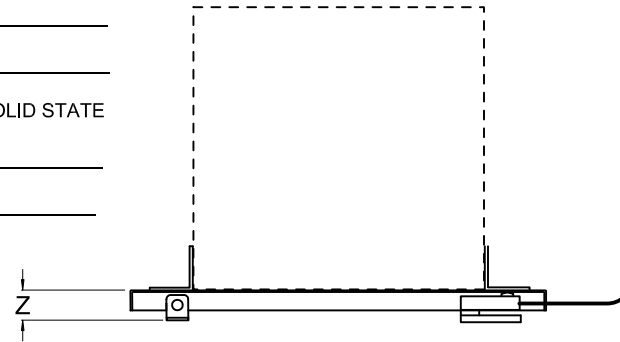
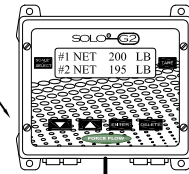
Other Options: _____

IMPORTANT !

For accurate measurement, adjust clips so that tank is centered on platform.



SOLO G2 INDICATOR



MODEL NUMBERS (for Load Cell & Platform)

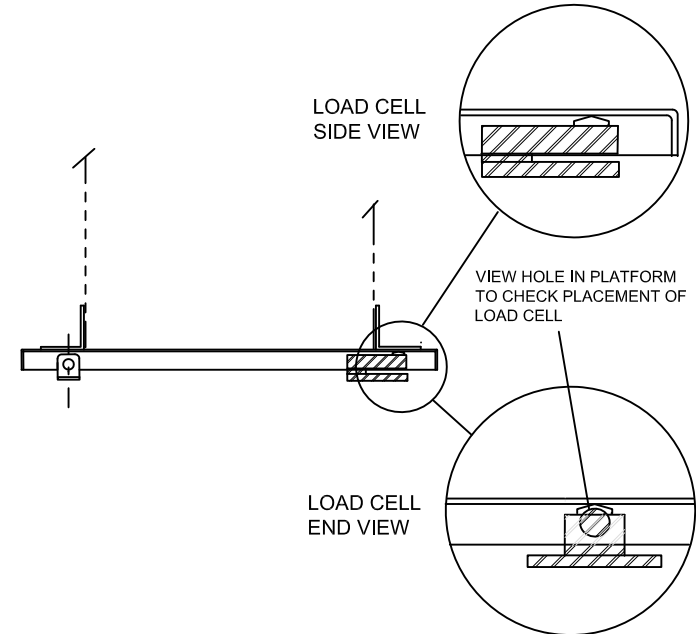
Model No.	Metric	X	Y	Z
30-DR ___ LP	30-DR ___ KLP	30" x 30"	(762mm sq)	3.25"
36-DR ___ LP	36-DR ___ KLP	36" x 36"	(914mm sq)	3.25"
40-DR ___ LP	40-DR ___ KLP	40" x 40"	(1016mm sq)	3.25"
50-DR ___ LP	50-DR ___ KLP	50" x 50"	(1270mm sq)	3.25"
54-DR ___ LP	54-DR ___ KLP	54" x 54"	(1371mm sq)	3.25"
60-DR ___ LP	60-DR ___ KLP	60" x 60"	(1524mm sq)	3.25"
72-DR ___ LP	72-DR ___ KLP	72" x 72"	(1829mm sq)	3.25"

Capacities: 1000 lbs. to 20,000 lbs (to designate capacity in model number, drop two zeros from desired capacity (i.e. 30-DR10LP = 1000# capacity)

Other Models: (For stainless steel platform add "S" to end of model number.)

MODEL NUMBER (for SOLO G2 Indicator)

SRG2-1	1-Channel SOLO G2 Indicator
SRG2-2	2-Channel SOLO G2 Indicator



2430 Stanwell Dr, Concord, Ca 94520 USA
 1-800-893-6723 US & Canada, Fax: 925-686-6713
 WWW.forceflow.com / Info@forceflow.com

ELECTRONIC LOW PROFILE
 CHEM-SCALE
 with SOLO G2 INDICATOR

Drawn by: KBV

Date: 3/04/09

Verified:

Scale:

Drawing Number

31454