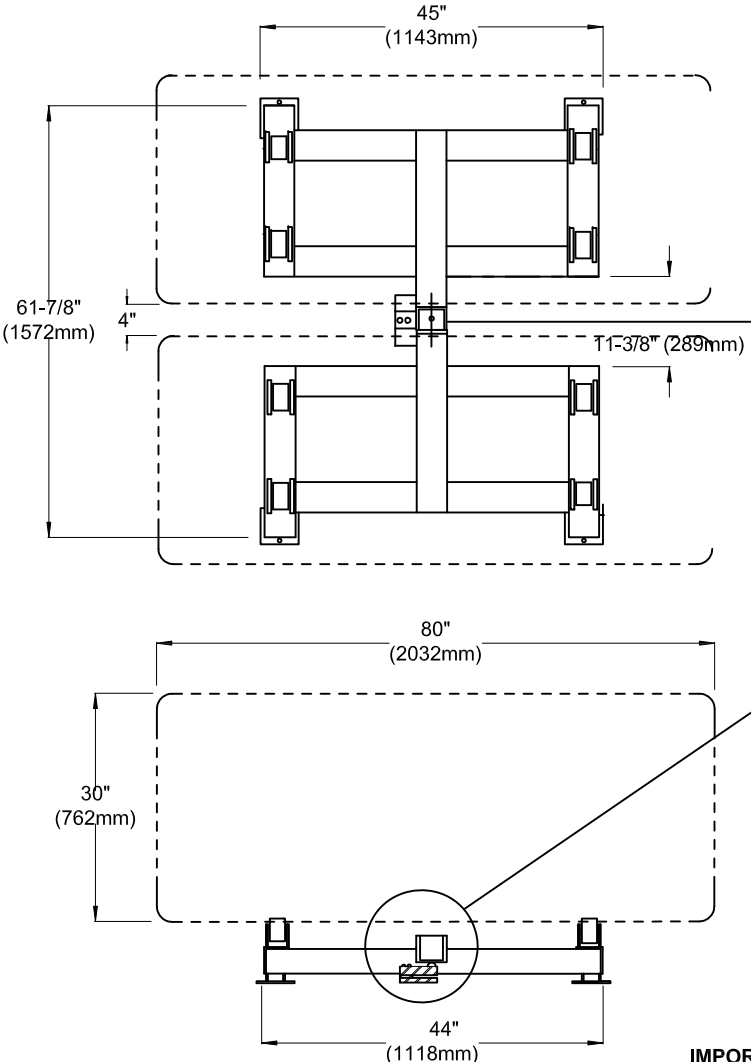


MODEL NUMBERS (for Frame & Load Cell)
 DR80 (8000 lbs)
 DR40K (4000 kgs)

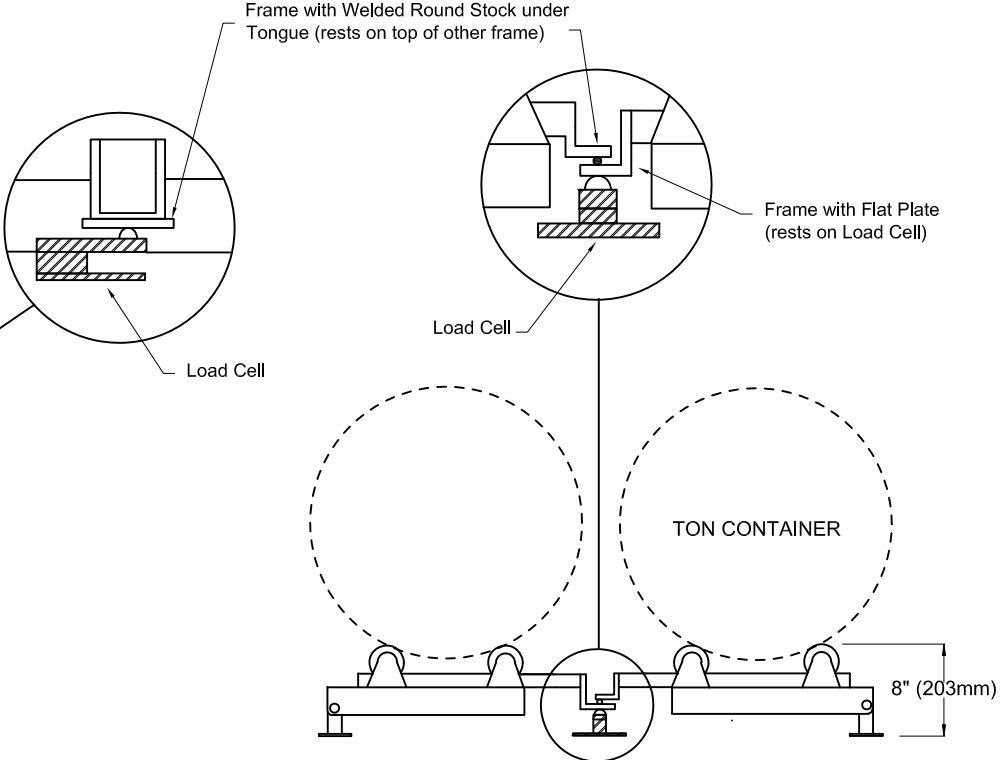
MODEL NUMBER (for SOLO G2 Indicator)
 SRG2-1 1-Channel
 SRG2-2 2-Channel



_____ Model Number of Indicator (Lbs or Kgs _____)

_____ Model Number of Frame

_____ Feet of Cable per Scale (20' Standard)



IMPORTANT: Position Load Cell so that it is parallel with the scale frames. Read the installation section carefully for proper placement of the frames.



2430 Stanwell Dr, Concord, Ca 94520 USA
 1-800-893-6723 US & Canada, Fax: 925-686-6713
 WWW.forceflow.com / Info@forceflow.com

ELECTRONIC DUAL TANK SCALE
 CHLOR-SCALE with SOLO G2
 (8000 lb. or 4000 kg. Capacity)

Drawn by: KBV
 Date: 3/03/09
 Verified:
 Scale:

Drawing Number
 31446