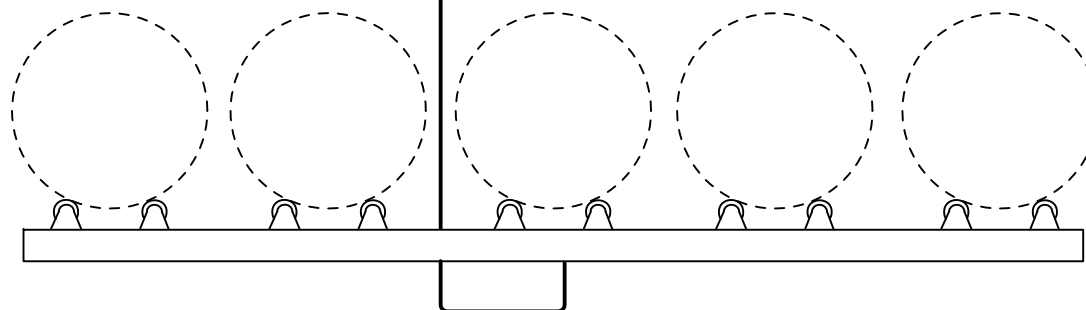


_____ Model Number of Indicator (Lbs or Kgs _____)

_____ Model Number of Scale Frame

_____ Feet of Cable (20 feet/6M Std)

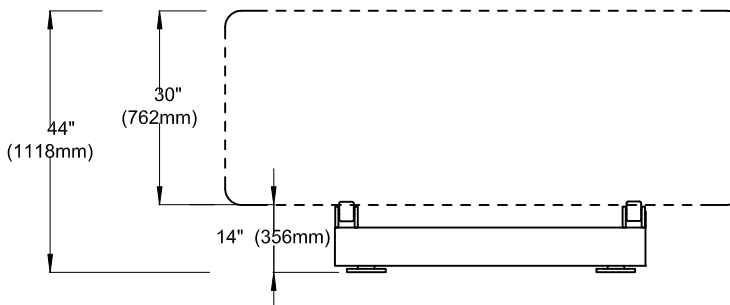


NOTE: Use 5/8" x 1-1/2" (16mm x 38mm) Anchor Bolts

RECOMMENDATION: 12" (305mm) minimum pad be used for each foot. DO NOT PREPOUR ANCHOR BOLTS. Use frame as template to avoid binding.

MODEL NUMBERS (for Frame & Load Cell)
 DR200 (20,000 lbs)
 DR100K (10,000 kgs)

MODEL NUMBER (for SOLO G2 Indicator)
 SRG2-1 1-Channel
 SRG2-2 2-Channel



WEIGHT: 1890 lbs/857 kgs
 (palettized for shipment)



2430 Stanwell Dr, Concord, Ca 94520 USA
 1-800-893-6723 US & Canada, Fax: 925-686-6713
 WWW.forceflow.com / Info@forceflow.com

ELECTRONIC 5-TANK SCALE
 CHLOR-SCALE
 with SOLO G2 INDICATOR
 (20,000 lb. or 10,000 kg. Capacity)

Drawn by: KBV

Date: 3/04/09

Verified:

Scale:

Drawing Number

31449